

Specifications

WindFree™ Pure 1.0 R32

- Three-step cooling: Fast Cooling mode, Dehumidification mode and WindFree™ Cooling mode.
- PM1.0 Filter.
- AI Auto Comfort.
- Freeze Wash.
- Wi-Fi Control with Samsung SmartThings and Bixby voice controls.
- Compressor with Digital Inverter Boost technology.
- Equipped with NASA communication protocol.
- Direct drive fan powered by a BLDC motor.
- Triple Protector Plus to protect compressor, fan and controller from power surges.



Indoor Unit		AR09AXKAAWKN/EU	AR12AXKAAWKN/EU	
Outdoor Unit		AR09AXKAAWKX/EU	AR12AXKAAWKX/EU	
Capacity				
Capacity	Cooling (Nominal)	kW	2.5	3.5
	Cooling (Min-Max)	kW	0.9-3.4	0.9-4.4
	Heating @ +7 °C	kW	3.2	4.0
	Heating (Min-Max)	kW	0.7-6.5	0.7-6.8
	Heating @ -5 °C	kW	TBC	TBC
	Heating @ -10 °C	kW	TBC	TBC
	Heating @ -15 °C	kW	TBC	TBC
Performance				
Energy Efficiency Cooling	SEER ¹	W/W	7.9/ A++	7.2/ A++
	Power Consumption	kWh/a	111	170
	Pdesignc	kW	2.5	3.5
	EER	W/W	4.46	3.80
Energy Efficiency Heating	SCOP ¹	W/W	4.6/ A++	4.6/ A++
	Power Consumption	kWh/a	700	730
	Pdesignh (average)	kW	2.3	2.4
	COP ¹	W/W	3.95	3.71
Moisture Removal		l/h	1.0	1.5
Maximum Airflow (Cooling)	Indoor Unit	m ³ /min	11.7	12.1
	Outdoor Unit	m ³ /min	45	45
Sound Power	Indoor Unit (Cooling)	dB(A)	56	58
	Outdoor Unit (Cooling)	dB(A)	59	62
Sound Pressure	Indoor Unit High/Silent Mode	dB(A)	38/19	40/19
	Outdoor Unit High	dB(A)	45	46
Operating Temperature Range	Cooling	°C	-10-46	-10-46
	Heating	°C	-15-24	-15-24
Electrical Data				
Power Source	Φ, V, Hz		1Φ, 220-240 V, 50 Hz	1Φ, 220-240 V, 50 Hz
Compressor Type	Outdoor Unit	Type	BLDC Rotary	BLDC Rotary
	Power Consumption	Cooling	W	560
	Heating	W	810	1079
Operating Current	Cooling	A	2.9	4.4
	Heating	A	3.9	5.1
Dimensions				
Net Dimensions (W x H x D)	Indoor Unit	mm	820x345x215	820x345x215
	Outdoor Unit	mm	790x548x285	790x548x285
Net Weight	Indoor Unit	kg	10.3	10.3
	Outdoor Unit	kg	32.5	32.5
Refrigerant				
Refrigerant	Type		R32 (contains fluorinated greenhouse gases. GWP = 675)	
	Charging (for 5 m)	kg	0.965	0.965
	Charging Ton Equivalent CO ₂	tCO ₂ e	0.65	0.65
	Additional Refrigerant Charging	g/m	15	15
Piping Connections	Liquid Pipe	ø, mm (inch)	1/4	1/4
	Gas Pipe	ø, mm (inch)	3/8	3/8
Piping Length	Min/Max (ODU to IDU)	m	3/15	3/15
Piping Height	Max	m	8	8
Piping Connections	Drain Pipe	ø, mm	ø16.3, 550 mm	ø16.3, 550 mm



Indoor Unit		AR09AXKAAWKN/EU	AR12AXKAAWKN/EU
Outdoor Unit		AR09AXKAAWKX/EU	AR12AXKAAWKX/EU
Functions			
Airflow	WindFree™ Cooling	●	●
	Air Direction Control (Up/Down)	Auto	Auto
	Air Direction Control (Left/Right)	Auto	Auto
	Auto Fan Speed	●	●
Air Purification	PM1.0 Filter	●	●
	Easy Filter Plus	●	●
	Auto Clean (Self-Cleaning)	●	●
	Freeze Wash	●	●
Operating Mode	AI Auto with Wi-Fi & MDS (direct/Indirect)	-	-
	AI Auto with Wi-Fi	●	●
	Auto Mode (without Wi-Fi)	-	-
	Fast Cool	●	●
	Good Sleep	●	●
	Eco	●	●
	Dehumidification	●	●
	Fan	●	●
Quiet	●	●	
Other Functions	Samsung SmartThings	●	●
	MDS (Motion Detect Sensor)	-	-
	Indoor Temp. Display	●	●
	Air Quality Indication	●	●
	Display On/Off	●	●
	Beep On/Off	●	●
	Auto Changeover	●	●
	Auto Restart	●	●

Accessory



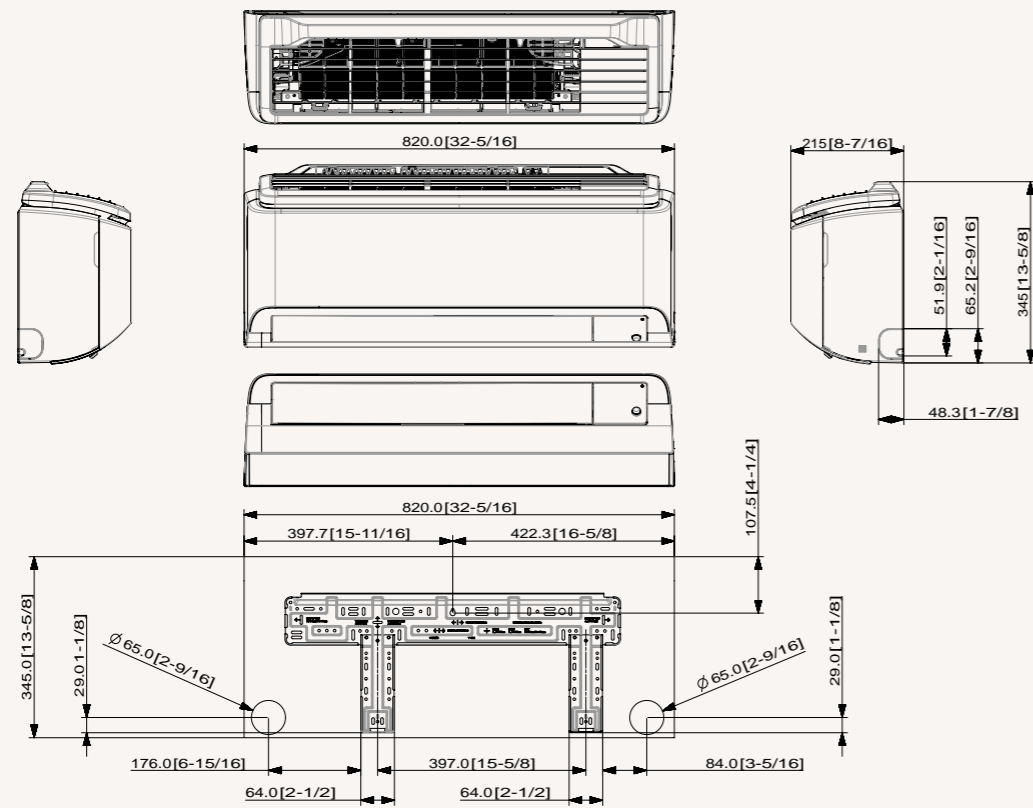
Wireless Remote Controller (included)

¹ Energy labels as shown are according to EU No 626/2011 (LOT10) label classification 2019, on a scale from D to A+++.

Dimensional drawings

WindFree™ Pure 1.0 - Indoor

AR09/T2AXKAWKNEU



WindFree™ Pure 1.0 - Outdoor

AR09/T2AXKAWKXEU

